

Kelvion SG classic

# THE ESTABLISHED SOLUTION FOR SENSITIVE PRODUCTS



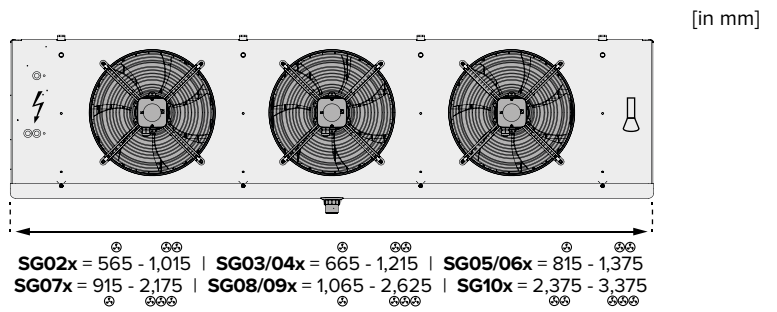
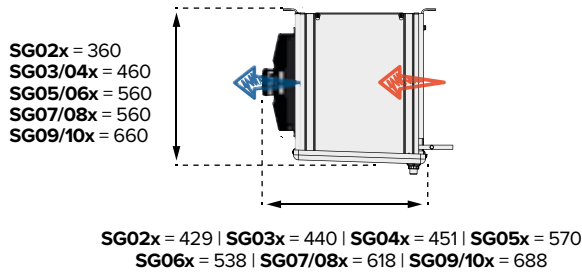
## YOUR BENEFITS

- ▶ **Versatility in application:** Available for all current HFCs, as well as for CO<sub>2</sub> direct expansion, up to 60 bar operating pressure
- ▶ **Extended capacity range** up to 23 kW (HFC), up to 28 kW (CO<sub>2</sub>)
- ▶ **High-performance air cooler** with aligned system of tubes
- ▶ **Large heat exchange surface:** Dehydration of chilled goods stays as low as possible
- ▶ **Rapid turnaround of goods** in the cold room feasible
- ▶ **High energy efficiency** with ErP compliant AC fans, speed adjustable
- ▶ **Medium Temperature Cooling & Freezing** down to -25°C t<sub>Li</sub>
- ▶ **Fast availability** of HFC - and CO<sub>2</sub> units at the best value for money

## CAPACITY RANGE

<b>HFC</b>	<b>0.9 kW - 23 kW</b> t <sub>Li</sub> =0°C   t <sub>Lo</sub> =-8°C   DT1=8K   R404A [SC2]
<b>CO<sub>2</sub></b>	<b>1.2 kW - 28 kW</b> t <sub>Li</sub> =0°C   t <sub>Lo</sub> =-8°C   DT1=8K   R744   45/60 bar
<b>Brine</b>	-
<b>NH<sub>3</sub></b>	-

# AIR DIRECTION & DIMENSIONS



## FANS

▶ AC Technology <input checked="" type="checkbox"/>		Ø 250 mm
		Ø 300 mm
		Ø 400 mm
		Ø 500 mm

## HEAT EXCHANGER

- ▶ Tube System: Aligned
- ▶ Tube spacing: 50 x 50 mm | Ø 15 mm
- ▶ Fin spacing: [in mm]  
B = 7.0
- ▶ Single/Multiple injection via Venturi Distributor

## DEFROST

DEFROST	COIL	DRIP TRAY
Electric	<input checked="" type="checkbox"/>	<input checked="" type="checkbox"/>
Hot Gas	✓	
Cold Gas	✓	
Brine		

## VARIANTS & ACCESSORIES

- ▶ Flange for Shut-Up®
- ▶ Shut-Up®
- ▶ Doubled, insulated Drip Tray

## MATERIAL

MATERIAL	TUBE	FINS	CASING	END PLATE
Aluminum		<input checked="" type="checkbox"/>	<input checked="" type="checkbox"/>	<input checked="" type="checkbox"/>
Copper	<input checked="" type="checkbox"/>			
Aluminum epoxy-resin-coated				
Aluminum/Steel protective coating				
Steel sendzimir zinc-plated				
Stainless Steel				

Standard execution |  Available as a variant |  \* Standard for NH<sub>3</sub>  
 Casing and Heat Exchanger powder coated (RAL 9010)

## NOTE

With our product selection software Kelvion RT Select you can configure our products and spare parts easily and very detailed for your customer. Reliable support during the project planning phase and time savings by means of a detailed selection is guaranteed.