

GB...-DW-Series | Brazed Plate Heat Exchangers

DOUBLE-WALLED FOR BETTER PROTECTION



DESIGN & FUNCTION

The great demands, Kelvion has for developing individual solutions, form the basis for your applications with the highest safety standards. The heat exchangers of GB ... -DW-Series consist of double-walled, hermetically sealed plates. The system convinces with two stainless steel plates instead of one, at which the second wall not only separates the media from each other, but also makes the leak visible. Thus, the mixing of the media of primary and secondary side in case of a leakage should be prevented. With the GB ... -DW-Series Kelvion offers reliability, efficiency and highest safety in one product.

The robust plate construction and the optimized plate design ensure high pressure resistance. For requirements up to 140 bar/2031psi, a double-wall version with pressure frame was developed in addition.

ADVANTAGES

- ▶ NEW PLATE DESIGN
- ▶ MORE PRESSURE RESISTANT AND EFFICIENT
- ▶ DOUBLE-WALLED SAFETY CONSTRUCTION
- ▶ RELIABLE MEDIA SEPARATION
- ▶ POWERFUL
- ▶ SPACE-SAVING

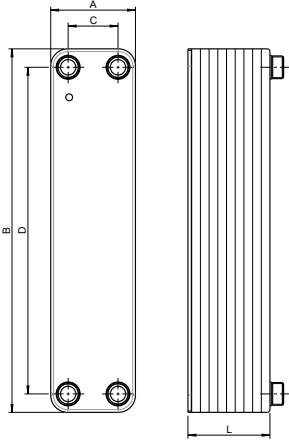
ALWAYS A SUITABLE SOLUTION AT HAND

The brazed plate heat exchangers from Kelvion offer tailor-made solutions for the widest range of application. We configure the most economically favorable model for you from the wide range of available sizes and the numerous optional features. We adapt this with individually positioned connections to meet your specific requirements.

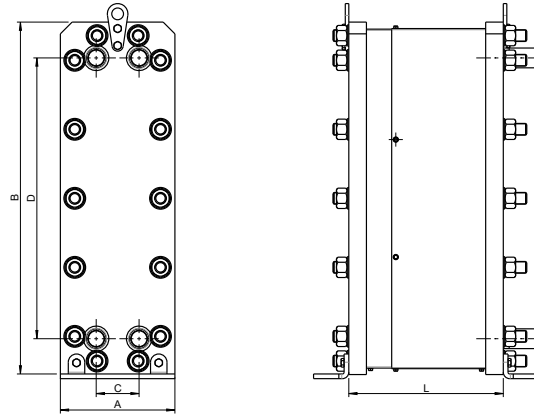
APPLICATION EXAMPLES:

- Potable water heating
- Applications for safety heat exchangers
- Oil cooling

GBS-DW/GBH-DW



GBH-HP-DW



Type	Pressure	Dimensions				L-Dimension*	Weight*	Volume	Max. number of plates
		A [mm]	B [mm]	C [mm]	D [mm]				
	bar	A [mm]	B [mm]	C [mm]	D [mm]	[mm]	[kg]	(Litre/Channel)	
GBS-DW 400H	16	124	335	73	281	12,40+2,35xN	1,70+0,185xN	0.065	100
GBH-DW 400H	45	124	335	73	281	12,40+2,35xN	1,70+0,185xN	0.065	100
GBS-DW 500H	16	125	532	73	478	12,30+2,30xN	2,55+0,30xN	0.100	100
GBH-DW 500H	45	125	532	73	478	12,30+2,30xN	2,55+0,30xN	0.100	100
GBH-HP-DW 400H	120	195	410	73	281	74,40+2,35xN	44,25+0,290xN	0,065	100
GBH-HP-DW 500H	140	195	600	73	478	74,30+2,30xN	64,65+0,410xN	0,100	120
++ Also available with Distribution Technology EQPipe ++									
GBH-HP-DW 400H-EQ	120	195	410	73	281	74,40+2,35xN	44,25+0,290xN	0,065	100
GBH-HP-DW 500H-EQ	140	195	600	73	478	74,30+2,30xN	64,65+0,410xN	0,100	120

*N = number of plates

SPECIFICATIONS

- ▶ Plate Material: Stainless steel AISI 316L / 1.4404
- ▶ Brazing Material: Copper

FEATURES

- ▶ Full Flow System™ (model 400)
- ▶ Distribution technology EQPipe (model 400, 500)

PERFORMANCE LIMITS

- ▶ Working temperature: 0°C to +200°C/32°F to +392°F
- ▶ Working pressure: up to 140 bar/ 2031 psi

APPROVAL

- ▶ PED (CE)
- ▶ ASME VIII-1

The specifications contained in this brochure are intended only to serve the non-binding description of our products and services and are not subject to guarantee. Binding specifications, especially pertaining to performance data and suitability for specific operating purposes, are dependent upon the individual circumstances at the operation location and can, therefore, only be made in terms of precise requests.

We need following information to select your optimum heat exchanger

- ▶ Required temperature range
- ▶ Flow rates or required heat load
- ▶ Maximal permitted pressure drop
- ▶ Required working conditions